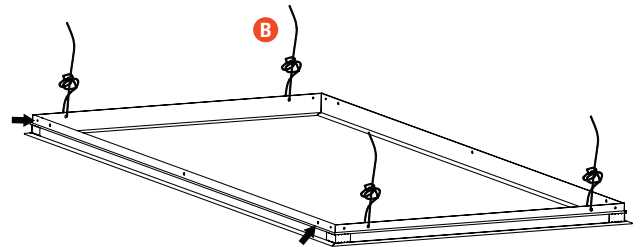
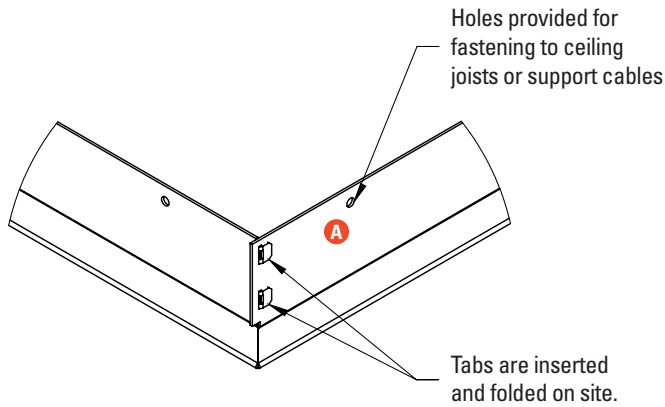




DRYWALL ADAPTER INSTRUCTIONS

TROFFER: LT, HPLT, DLT, HPLT-VN & PCT SERIES
 SURFACE MOUNT: LS & HPLS SERIES



STEP 1

Cut the Drywall opening based on the sizing table.

STEP 2

Field assembly of the drywall kit does not require any tools. Simply insert tabs into slots, hold the sides firmly together and bend tabs over, as shown, to attach the sides together. Note: The tabs should only be bent once.

STEP 3

Use the provided holes (A) to fasten drywall kit to ceiling joists or support cables.

Form minimum 12GA support wire (B) (not included) to tie the drywall kit. If necessary, use support wires to tie the additional holes of the drywall kit to reinforce the strength.

Order #	Description	Drywall Cutout Size	
		X	Y
10015670	Drywall Kit: 1x4 Troffer	48 1/2	12 3/8
10015671	Drywall Kit: 2x2 Troffer	24 1/2	24 1/2
10015672	Drywall Kit: 2x4 Troffer	48 1/2	24 3/8
10015673	Drywall Kit: 1x4 Surface Mount	42 1/2	6 3/8
10015674	Drywall Kit: 2x2 Surface Mount (L Series)	18 7/8	12 1/2
10015675	Drywall Kit: 2x2 Surface Mount (HP Series)	22 3/4	12 1/2
10015676	Drywall Kit: 2x4 Surface Mount	12 1/2	42 1/2



Raffino can configure products to fit your customer's specific needs. Contact us for more details!