

WARNINGS :

Risk of fire or electric shock. Luminaire wiring and electrical parts may be damaged when drilling for installation of LED retrofit kit. Check enclosed wiring and components for damage.

Risk of fire or electric Shock. LED Retrofit Kit installation requires knowledge of luminaires electrical system. If not qualified, do not attempt installation. Contact a qualified electrician.

Risk of fire or electric shock. Install this kit only in the luminaires that have the construction features and dimensions shown in the photographs and/or drawings.

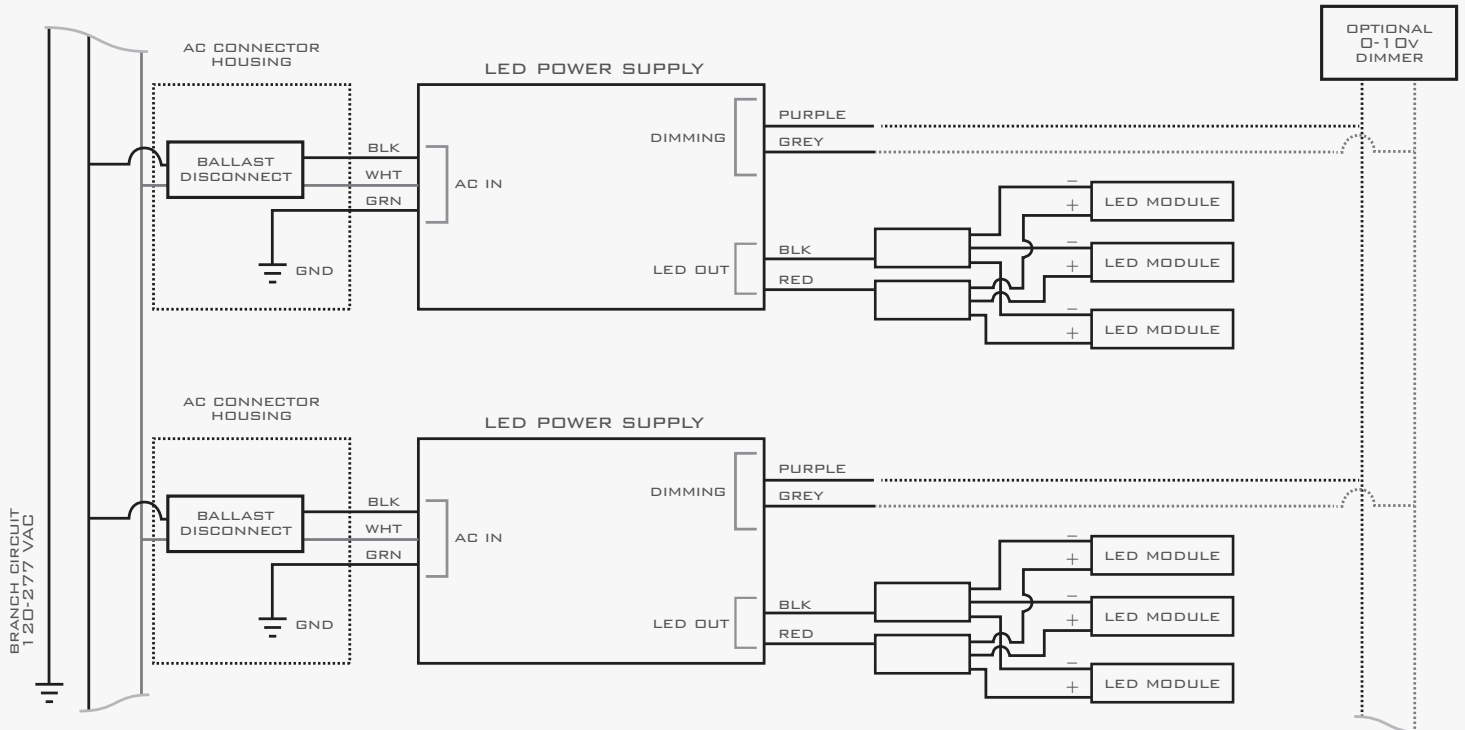
To prevent wiring damage or abrasion, do not expose wiring to edges of sheet metal or other sharp objects.

EXISTING LUMINAIRE MODIFICATIONS

STANDARD INSTALLATION

- 1 Turn off power. Remove front louver or diffuser (if applicable), lamps and ballast cover.
- 2 Remove socket straps, disconnect old ballast and strip supply wires to 3/8".
- 3 Clean area where module will be adhered.
- 4 Adhere the LED module to the fixture using the adhesion strips on the back.
- 5 Adhere the LED power supply to the fixture using the adhesion strip on the back.
- 6 Connect the AC Power to the Ballast Disconnect plug.
- 7 Connect the ends of the ballast disconnect.
- 8 Attach AC connector housing over ballast connector with provided screw.
- 9 Plug the LED modules into the driver.
- 10 Replace louver or diffuser (if applicable).
- 11 Turn on power.

APPENDIX A - WIRING DIAGRAM



DO NOT RUN BRANCH CIRCUITS THROUGH DIMMING CONTROLLERS. USE ONLY 0-10V DIMMING CONTROLS CONNECTED TO DRIVER DIMMING LEADS.