

WARNINGS :

Read and follow all safety instructions. Instructions must be shared and acknowledged by all persons providing installation services.

Installation and service of this product should be done by licensed and qualified electrical professionals. If you are not qualified, do not attempt installation. Contact a qualified electrician.

This product is intended for indoor use only.

Before installation or servicing, turn off power supply at the circuit breaker or fuse box to avoid electric shock.

At installation, ground the product if applicable.

This product must be installed only in accordance with National Electrical Code or local electrical codes.

Supplied power must be compliant with the voltage and frequency specified on the product label.

Supplied power must be delivered to the fixture using plenum rated wire.

Do not handle powered product with wet hands or when standing on wet area.

To prevent wiring damage or abrasion, do not expose wiring to edges of sheet metal or other sharp objects.

Save these instructions for future reference.

MECHANICAL

SURFACE MOUNT INSTALLATION

- 1 Turn off power supply at circuit breaker / fuse box.
- 2 Install Surface mount housing to ceiling using 6 contractor supplied screws (see figure 1).
- 3 Check length of incoming power leads from ceiling. Leads should be long enough to reach fixture before install (>40" Typ). Add additional length if necessary.
- 4 Remove J-box cover from fixture and open appropriate knock-out.
- 5 Route wire into J-box and secure as required by local codes.
- 6 Connect branch wires as shown in Figure 2 - Close J box cover.
- 7 Without pinching branch wires, slide fixture into housing (see figure 3).
- 8 Install End cover and secure with 3 screws (supplied) (see figure 4).
- 9 Turn back on power supply at circuit breaker/fuse box.

FIG. 1 HOUSING INSTALL

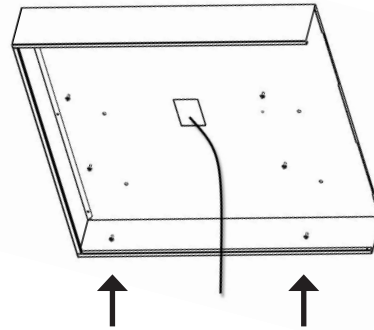


FIG. 2 ELECTRICAL CONNECTIONS

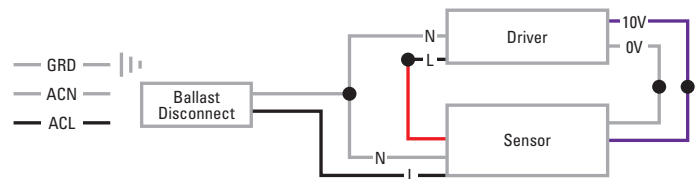


FIG. 3 FIXTURE SLIDE

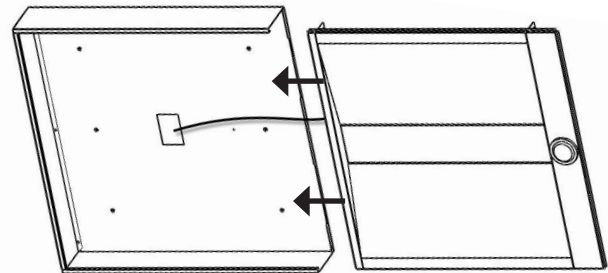
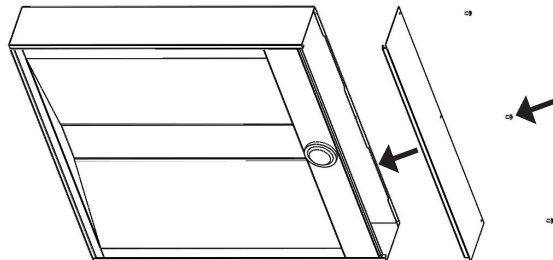


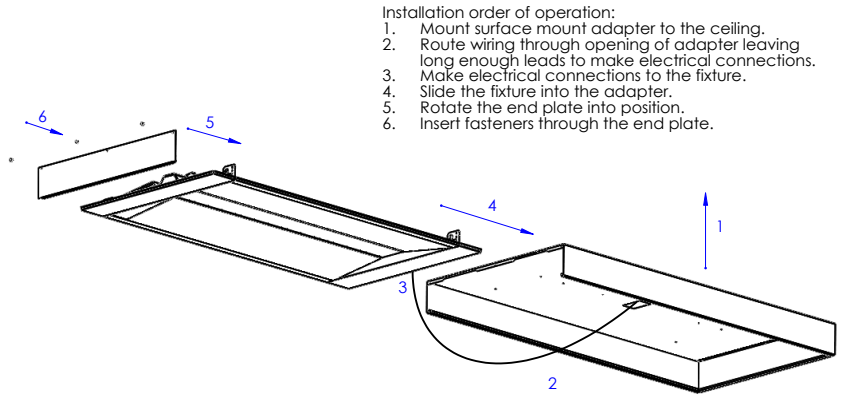
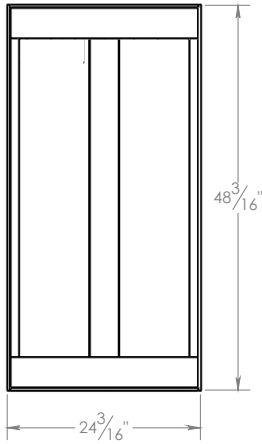
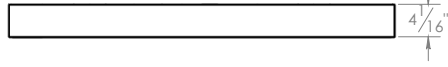
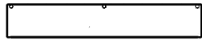
FIG. 4 END PLATE INSTALL





SURFACE MOUNT INSTALLATION INSTRUCTIONS

HP SERIES // 2X2 // ARCHITECTURAL LED TROFFERS



- Installation order of operation:
1. Mount surface mount adapter to the ceiling.
 2. Route wiring through opening of adapter leaving long enough leads to make electrical connections.
 3. Make electrical connections to the fixture.
 4. Slide the fixture into the adapter.
 5. Rotate the end plate into position.
 6. Insert fasteners through the end plate.

REVISIONS

REV.	DESCRIPTION	DATE
01	New Drawing	5/12/2015

PROJECT: Raffino Accessories \1001488X - LT SM Adapter Assy Install